

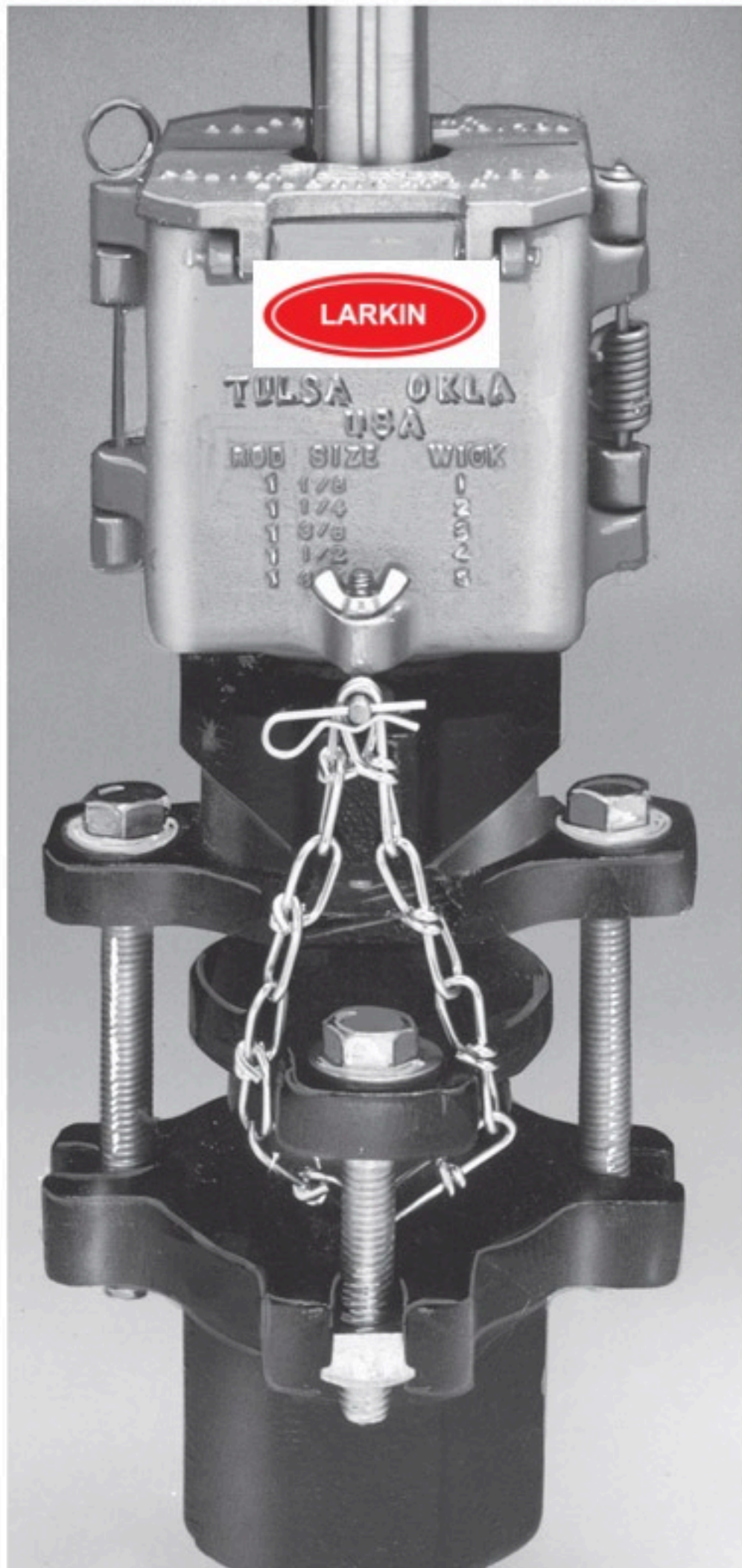
APPLICATION:

Purpose is to reduce friction heat and damage to packing rubbers and polish rods when a well pumps off.

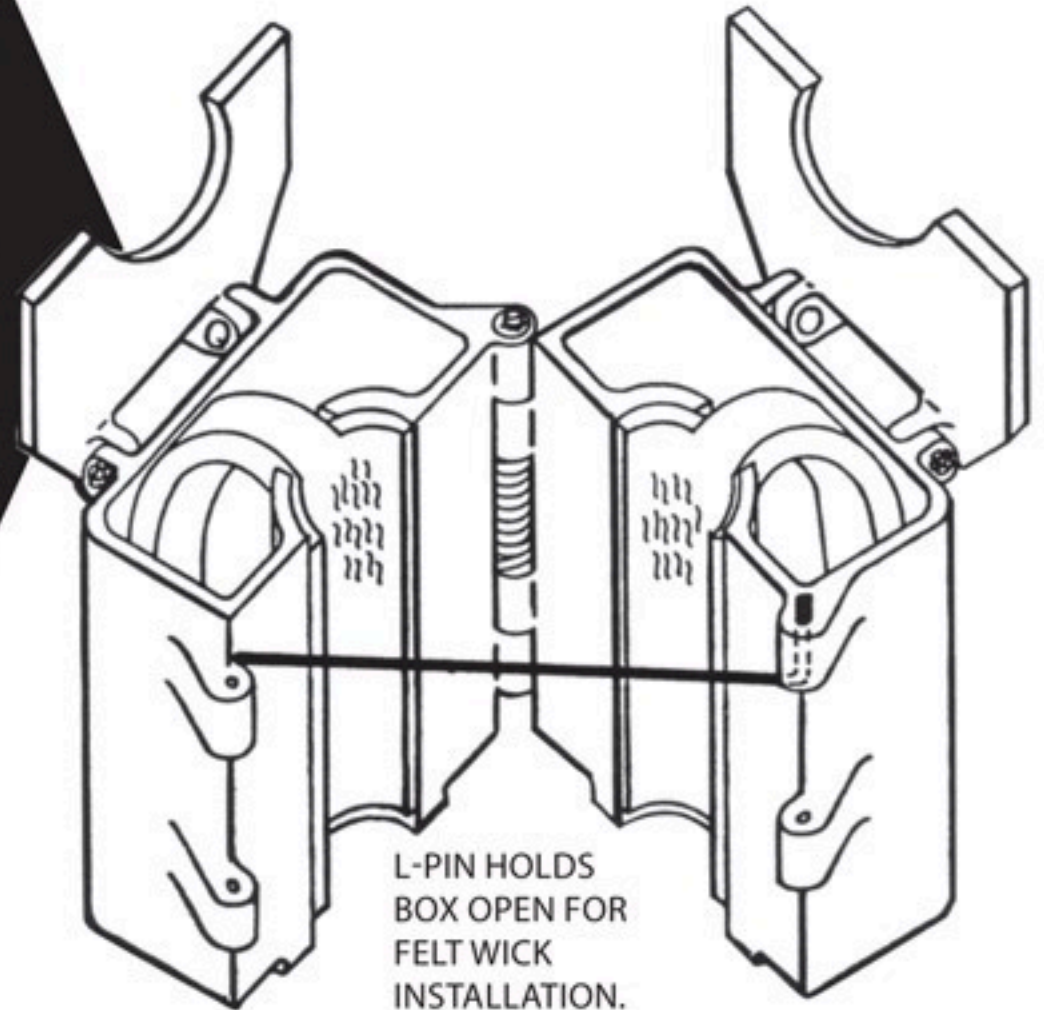
When properly maintained, the polish rod lubricator will keep the polish rods lubricated on both the down and up stroke.

FEATURES:

- Our Baird design allows for double usage by merely moving the spring and rod to opposite sides.
- Lubricator also comes with tiedowns.
- Capacity of Reservoirs: 1 quart.



BOX SIDES ARE IDENTICAL. IF LUGS BREAK, SPRING AND PIN CAN BE HINGED THROUGH OTHER SIDE.



CHAIN HOLD-DOWNS: WHEN INSTALLING CHAINS, LEAVE THEM SLIGHTLY LOOSE FOR BEST RESULTS.

DIMENSIONS:

